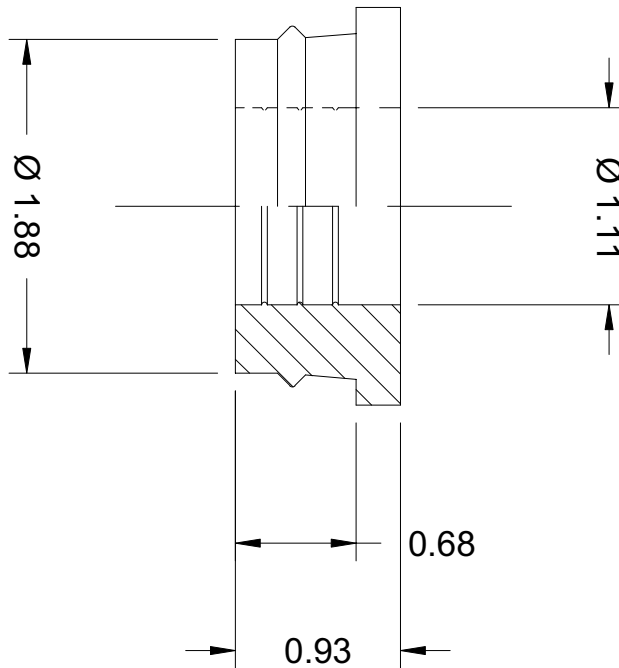


NOTE: CONNECTS 1" COPPER OR CPVC TUBING TO  
1.5" SCH 40 PLASTIC SOCKETS



**INDIANA  
SEAL**

A GPK PRODUCTS Company

MATERIAL LIST

QTY	ITEM	P/N

FOR REFERENCE ONLY DIMENSIONS SUBJECT TO CHANGE

TITLE

FLEXIBLE UTILITY ADAPTER  
1.5" CI/PVC HUB x  
1" COPPER OR CPVC TUBING

1-800-428-5309 FARGO, ND

DATE 07-21-09

SCALE NONE

PART NO. UA-1510