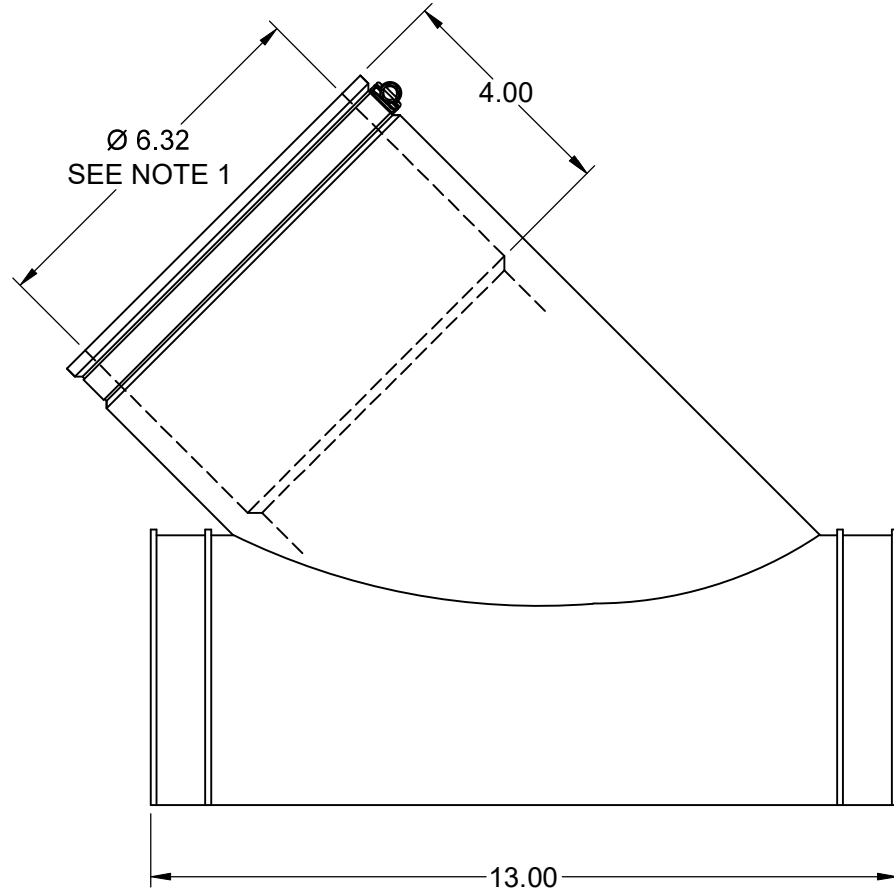
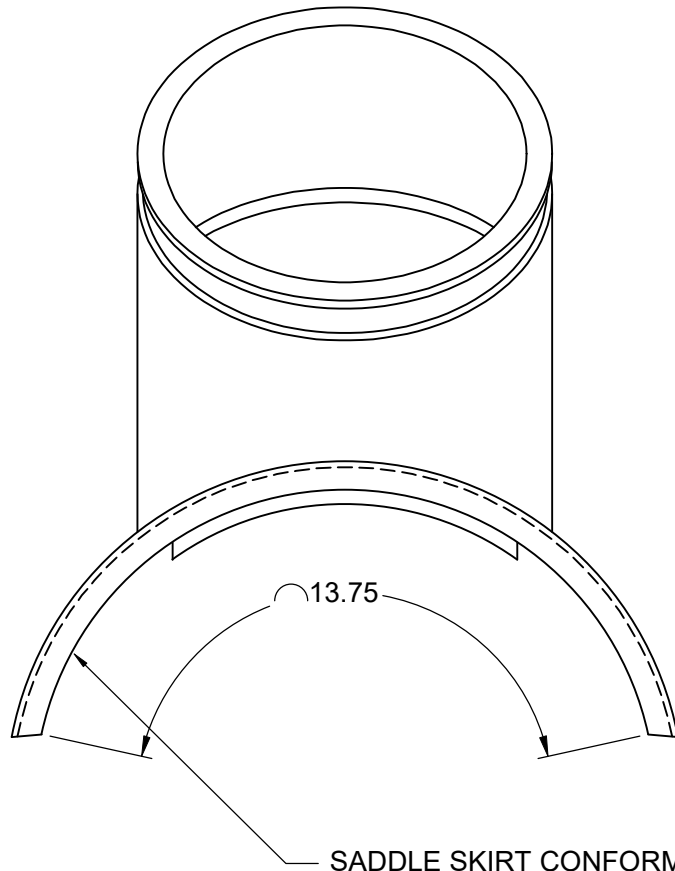
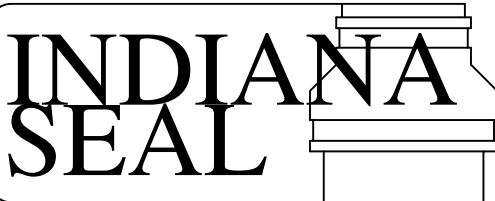


1. BRANCH ACCEPTS PIPE \varnothing 6.275" TO \varnothing 6.300"
2. STRAPS SUPPLIED WITH SADDLE FIT PIPE UP TO 15.30" DIAMETER FOR LARGER MAINS ORDER STRAPS SEPARATELY



SADDLE SKIRT CONFORMS TO 8" PIPE AND LARGER

 INDIANA SEAL		MATERIAL LIST		FOR REFERENCE ONLY DIMENSIONS SUBJECT TO CHANGE	
		QTY	ITEM	P/N	TITLE FLEXIBLE SADDLE WYE WITH 6" BRANCH MANUFACTURED BY NDS
1	SADDLE	SW-6			
1	CLAMP	SSHC116			
2	CLAMP	133-0015			
A GPK PRODUCTS Company		DATE 07-21-09		SCALE NONE	PART NO. SW-6
1-800-428-5309 FARGO, ND					