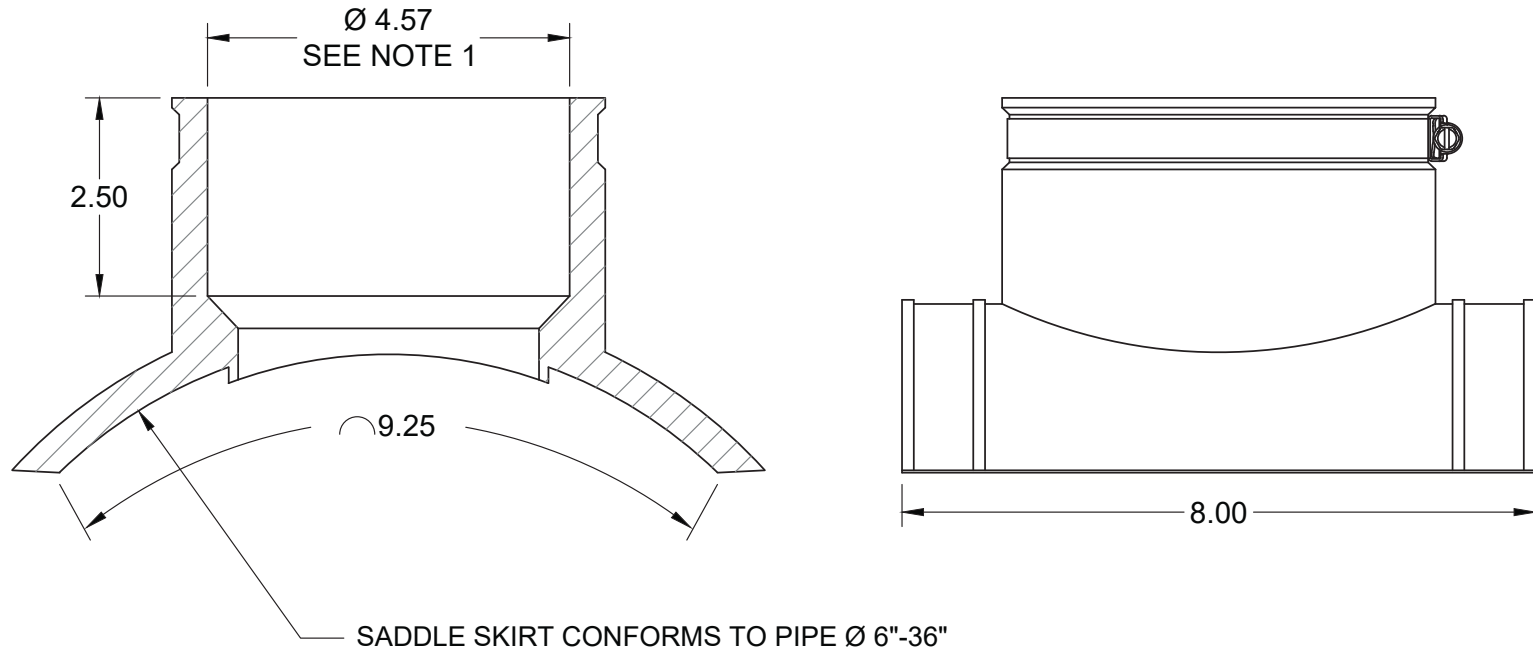
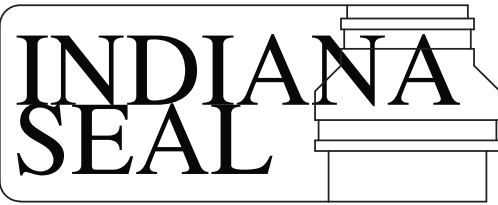


1. BRANCH ACCEPTS PIPE \varnothing 4.215" TO \varnothing 4.500"
2. STRAPS SUPPLIED WITH SADDLE FIT PIPE UP TO 15.30" DIAMETER
FOR LARGER MAINS ORDER STRAPS SEPARATELY



 INDIANA SEAL A GPK PRODUCTS Company	MATERIAL LIST			FOR REFERENCE ONLY DIMENSIONS SUBJECT TO CHANGE	
	QTY	ITEM	P/N	TITLE	
	1	SADDLE	ST-4	FLEXIBLE SADDLE TEE WITH 4" BRANCH	
	1	CLAMP	SSHC80		
2	CLAMP	133-0015			
1-800-428-5309	FARGO, ND	DATE 3-26-19	SCALE NONE	PART NO.	ST-4