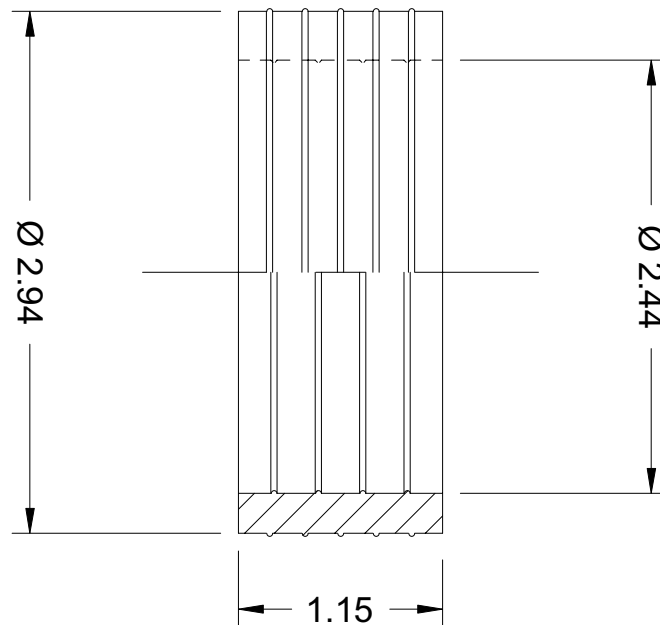


NOTE: CONNECTS 2" DWV PLASTIC, STEEL OR EXTRA HEAVY CAST IRON PIPE TO SHOWER DRAIN BODIES

FITS THE FOLLOWING:

- AMERICAN BRASS AND ALUMINUM
- CASPER MODEL 101-101P, 101 BR
- KOHLER
- GARVIN MODEL 475
- INTERCON
- SCHAUL MFG BRASS MODEL 1524



**INDIANA
SEAL**

A GPK PRODUCTS Company

MATERIAL LIST

QTY	ITEM	P/N

FOR REFERENCE ONLY DIMENSIONS SUBJECT TO CHANGE

TITLE

SHOWER DRAIN CONNECTOR
2" DWV TO DRAIN BODY

1-800-428-5309 FARGO, ND

DATE 09-21-09

SCALE NONE

PART NO. SDC-200