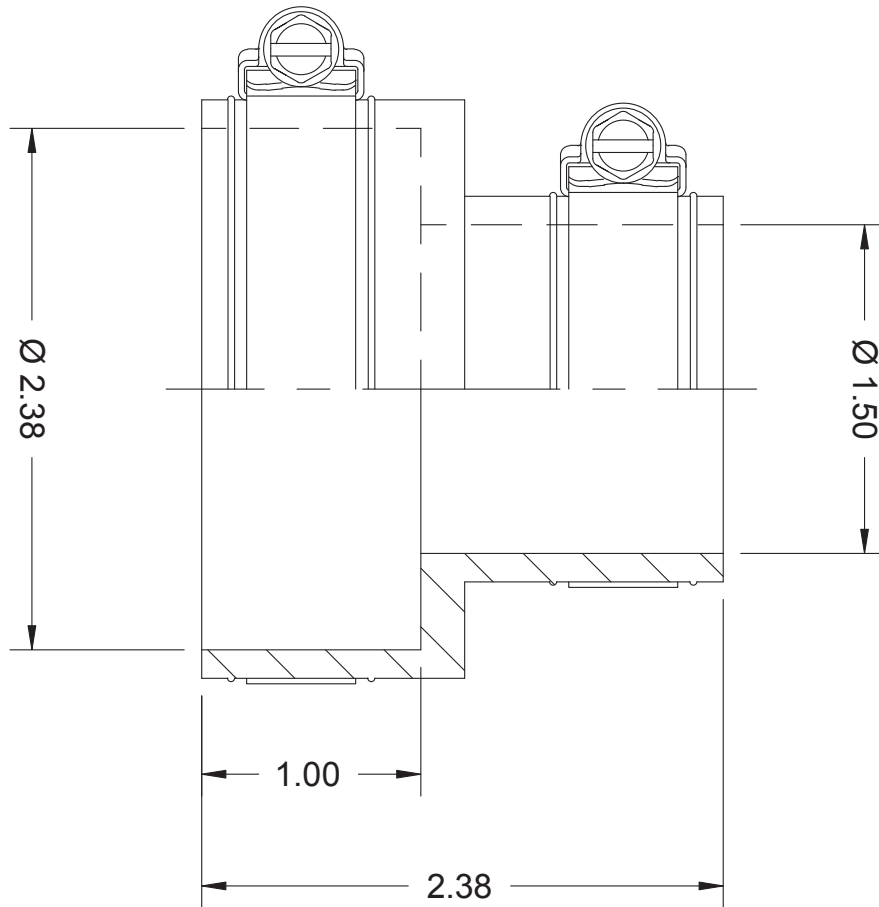


NOTE: CONNECTS 1 1/4" OR 1 1/2" TUBULAR TRAPS TO 2" DRAIN PIPING



**INDIANA
SEAL**

A GPK PRODUCTS Company

MATERIAL LIST

QTY	ITEM	P/N
1	COUPLING	DT-215
1	CLAMP	SSHC24
1	CLAMP	SSHC36

FOR REFERENCE ONLY DIMENSIONS SUBJECT TO CHANGE

TITLE
FLEXIBLE DRAIN & TRAP CONNECTOR
2" IPS x 1 1/4" OR 1 1/2" TUBULAR

1-800-428-5309

FARGO, ND

DATE 07-21-09

SCALE NONE

PART NO.

DT-215