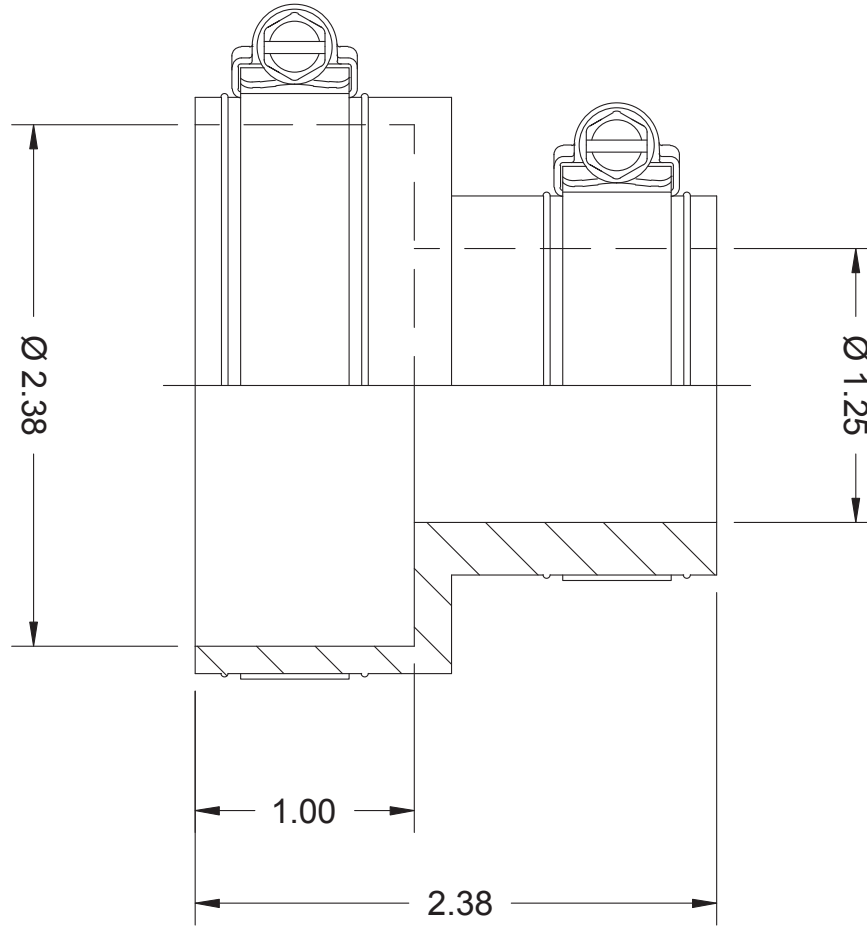


NOTE: 1. CONNECTS 2" PIPE SLEVE TO 1" COPPER OR PLASTIC CARRIER PIPE  
 2. ALSO CONNECTS 2" PIPE TO 1 1/4" TUBULAR



**INDIANA  
SEAL**

A GPK PRODUCTS Company

MATERIAL LIST

QTY	ITEM	P/N
1	COUPLING	DT-210
1	CLAMP	SSHC24
1	CLAMP	SSHC36

FOR REFERENCE ONLY DIMENSIONS SUBJECT TO CHANGE

TITLE

FLEXIBLE CONNECTOR  
 2" IPS x 1" COPPER OR PLASTIC

1-800-428-5309

FARGO, ND

DATE 07-21-09

SCALE NONE

PART NO.

DT-210