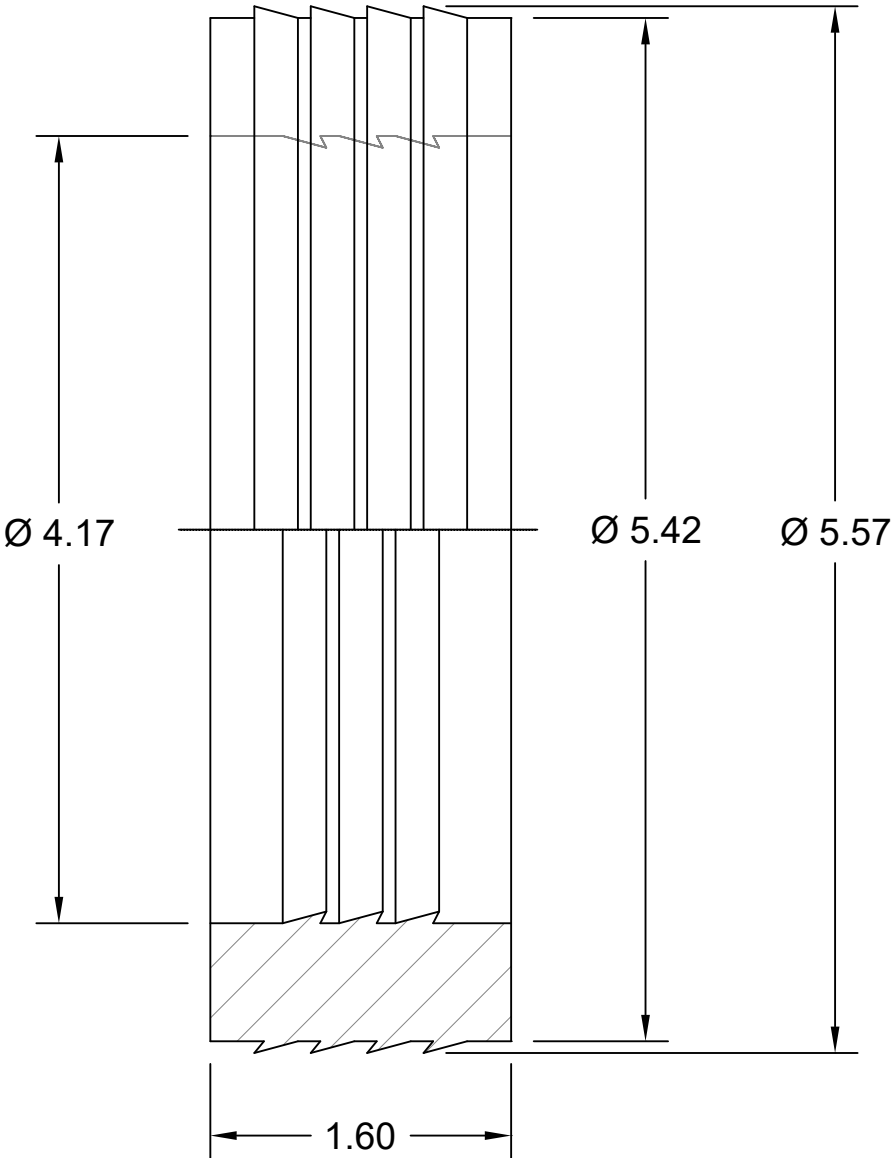



NOTE: SEE INDIANA SEAL BROCHURE FOR BELL SPECIFICATIONS



 <p>A GPK PRODUCTS Company</p>	MATERIAL LIST			FOR REFERENCE ONLY DIMENSIONS SUBJECT TO CHANGE	
	QTY	ITEM	P/N	TITLE	
				FLEXIBLE COMPRESSION SEAL	
				BELL (Ø5.58) x PIPE (Ø4.215-Ø4.300)	
1-800-428-5309	FARGO, ND	DATE 5-15-09	SCALE NONE	PART NO.	CS408-41