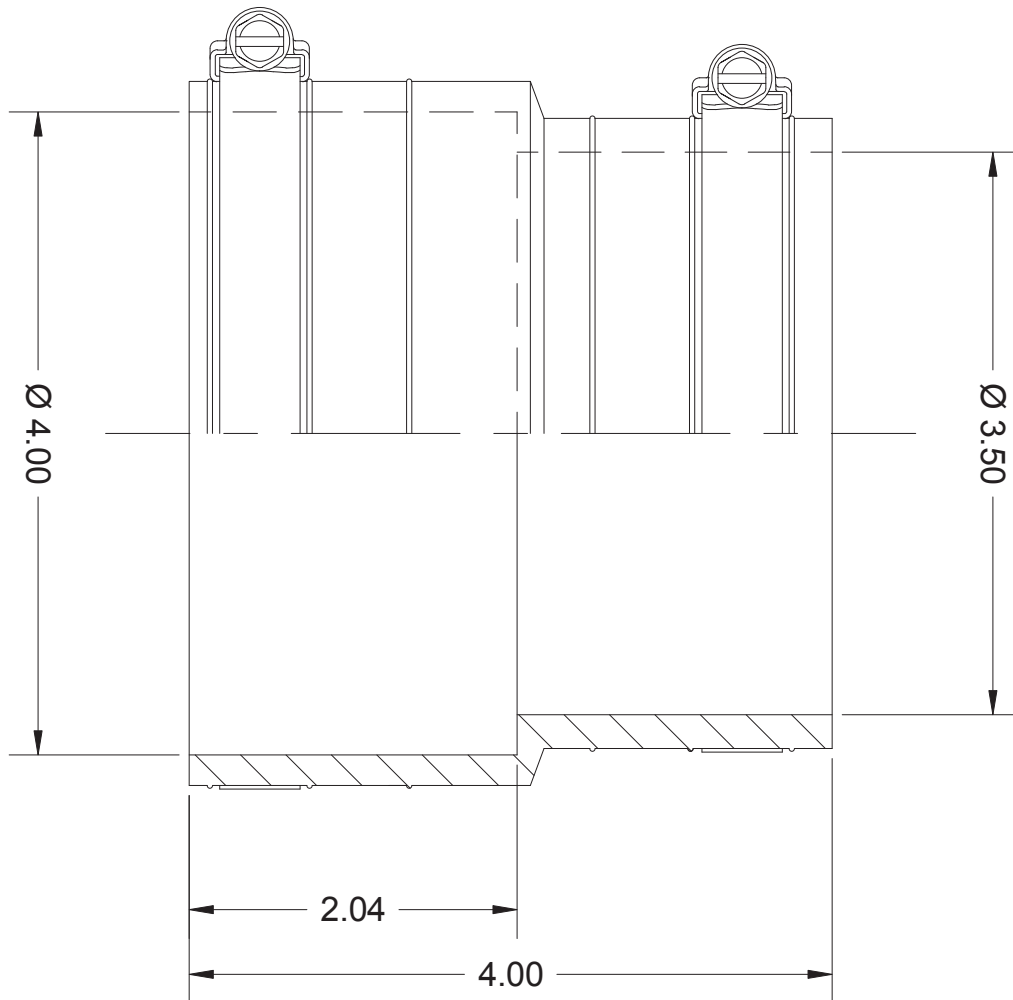


NOTE: COUPLING CAN BE USED AT WIDTH SHOWN OR CUT DOWN WITH CLAMPS MOVED TO INSIDE GROOVES



**INDIANA
SEAL**

A GPK PRODUCTS Company

MATERIAL LIST

QTY	ITEM	P/N
1	COUPLING	159-33
1	CLAMP	SSHC-60
1	CLAMP	SSHC-64

FOR REFERENCE ONLY DIMENSIONS SUBJECT TO CHANGE

TITLE

FLEXIBLE COUPLING
3" SOCKET TO PIPE

1-800-428-5309 FARGO, ND

DATE 07-14-10

SCALE NONE

PART NO. 159-33