

FIGURE 1

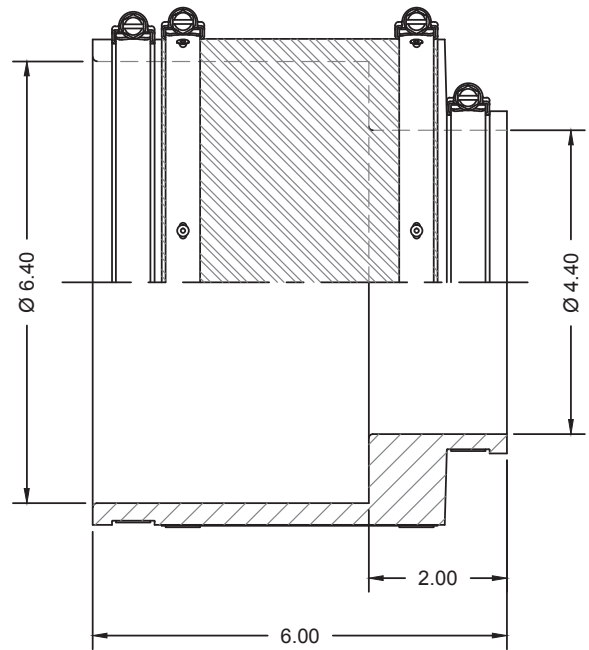
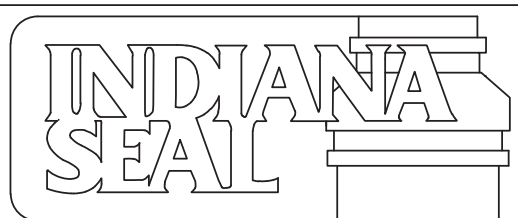


FIGURE 2

PART NO.	FIGURE	COUPLING	REDUCER	A DIAMETER	SHEAR RING	THICKNESS	STRAP
156-64ASR	2	156-64ASR	NA	4.40	SSASR-116	0.012	SSHC-116
156-64ASRP	1	156-64	R56-64P	4.22	SSASR-116	0.012	SSHC-116
156-64ASRi	1	156-64	R56-64i	4.50	SSASR-116	0.012	SSHC-116
156-64ASRB	2	156-64ASRB	NA	4.40	SSASR-116	0.012	SSBC-700
156-64ASRBP	1	156-64	R56-64P	4.22	SSASR-116	0.012	SSBC-700
156-64ASRBi	1	156-64	R56-64i	4.50	SSASR-116	0.012	SSBC-700



A GPK PRODUCTS Company

1-800-428-5309 FARGO, ND

MATERIAL LIST

QTY	ITEM	P/N
1	COUPLING	156-66
1	REDUCER	R56-64
2	CLAMP	SSHC-116
1	SHEAR RING	SSASR-116

FOR REFERENCE ONLY DIMENSIONS SUBJECT TO CHANGE

TITLE

AMAZON SHEAR RING COUPLING
6" CI/PVC x 4" CI/PVC

DATE 10-25-10

SCALE NONE

PART NO. 156-64ASR