

FIGURE 1

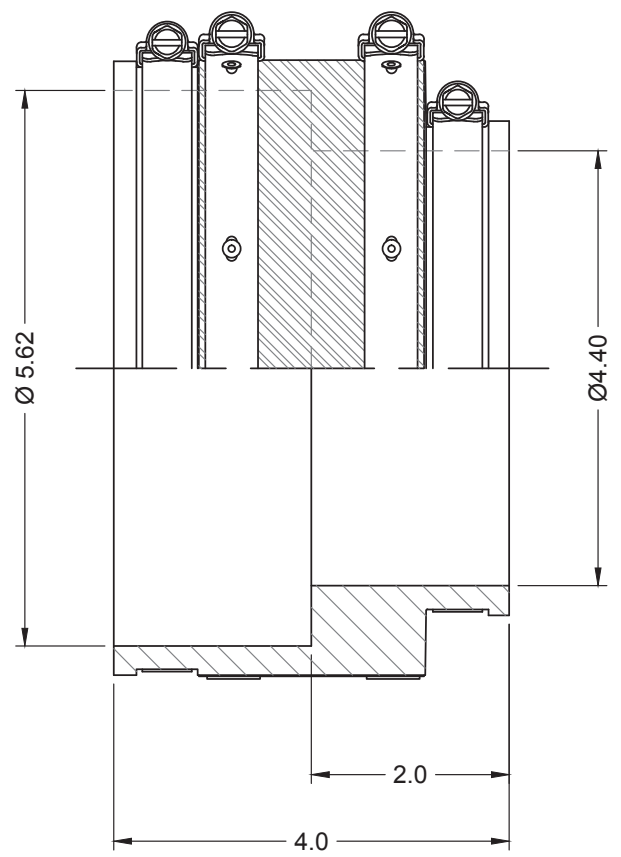


FIGURE 2

PART NO.	FIGURE	COUPLING	REDUCER	A DIAMETER	SHEAR RING	THICKNESS	STRAP
106-44ASR	2	106-44SR	NA	4.40	SSASR-96	0.012	SSHC-80,96
106-44ASRP	1	104-44	R06-44P	4.22	SSASR-96	0.012	SSHC-96
106-44ASRi	1	104-44	R06-44i	4.50	SSASR-96	0.012	SSHC-96
106-44ASRB	2	106-44SR	NA	4.40	SSASR-96	0.012	SSBC-450,530
106-44ASRBP	1	104-44	R06-44P	4.22	SSASR-96	0.012	SSBC-530
106-44ASRBi	1	104-44	R06-44i	4.50	SSASR-96	0.012	SSBC-530



A GPK PRODUCTS Company

MATERIAL LIST		
QTY	ITEM	P/N
1	COUPLING	106-44SR
1	CLAMP	SSHC-80
1	CLAMP	SSHC-96
1	SHEAR RING	SSASR-96

FOR REFERENCE ONLY DIMENSIONS SUBJECT TO CHANGE

TITLE

**AMAZON SHEAR RING COUPLING
4" CONCRETE x 4" CI/PVC**